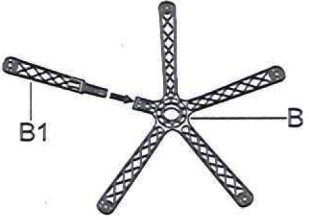
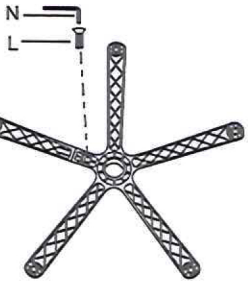


1



B1

B

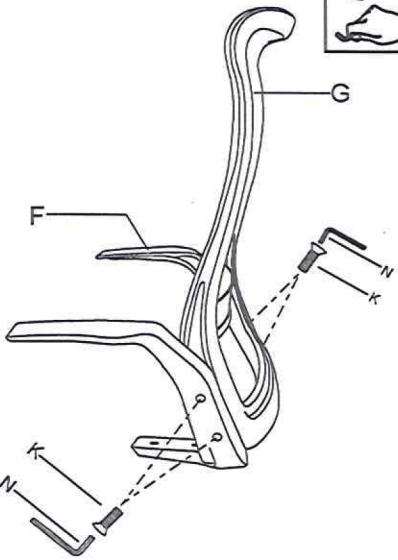


N

L

2

70%



F

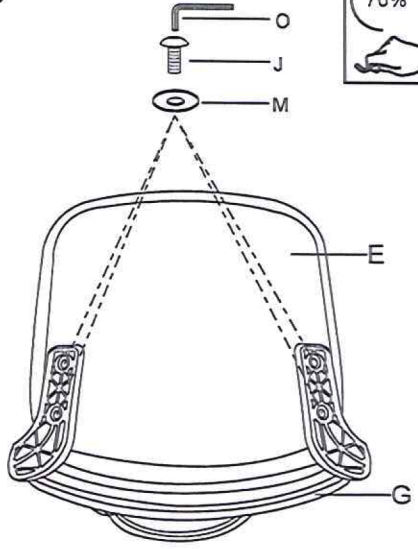
G

N

K

3

70%



O

J

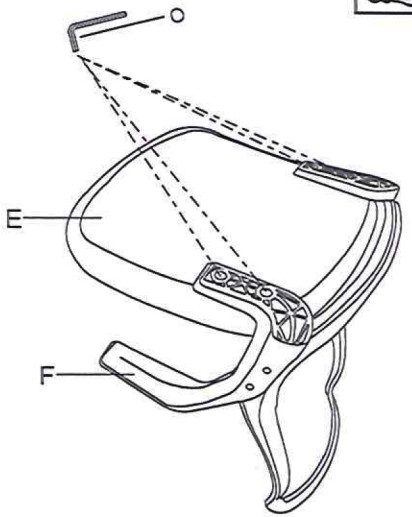
M

E

G

4

100%



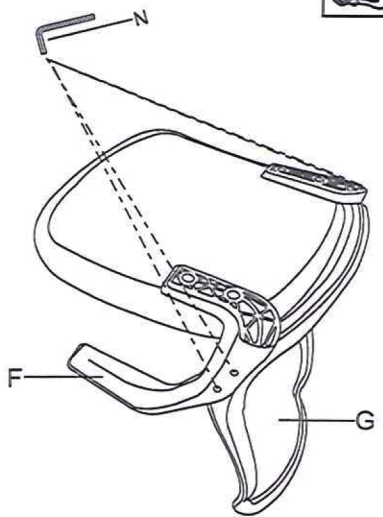
E

F

O

5

100%



N

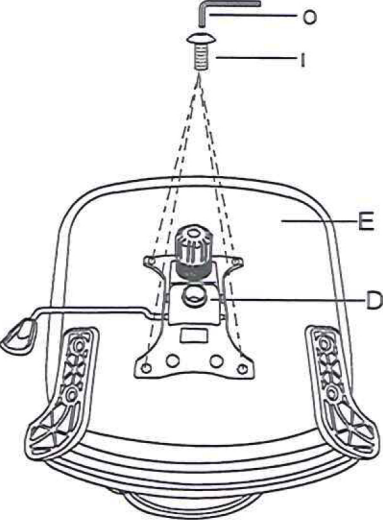
F

G

6

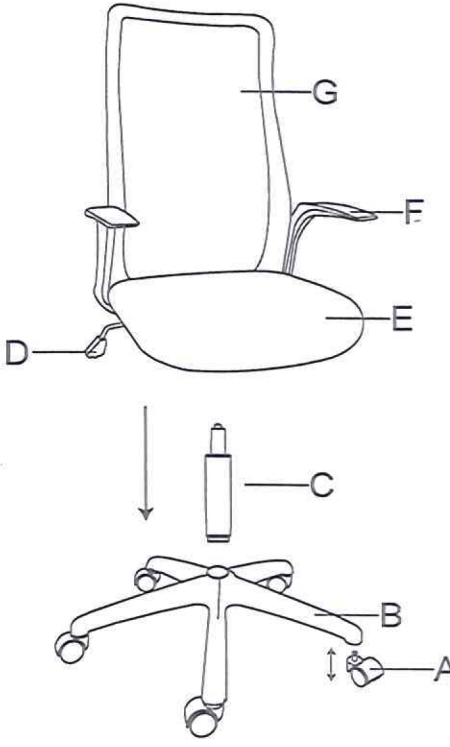
O

I



E

D



G

F

E

D

C

B

A

I  
M6\*20MM  
/4PCS

J  
M6\*35MM  
/4PCS

K  
M6\*40MM  
/4PCS

L  
M6\*25MM  
/1PC

M  
M6\*15\*1MM  
/4PCS

N  
M4/1PC

O  
M5/1PC