



CARLO

Antares Design





CARLO

The office is the expression of the company's identity. The office environment and design influence the behavior and level of creativity of each employee or visitor.

The furniture pieces, materials used, colors, and design determine the increase in productivity and level of motivation for each employee.

Certain seen shapes are impossible to forget, especially when they are a combination of elegance and substance.

The well-defined lines of the Carlo office chair are the result of studies focused on comfort and style.

CARLO

The comfort of the Carlo executive chair will contribute to creating a refined interior ambiance and a high level of prestige in any office. Carlo is equipped with a four-locking position multi-block mechanism. The seat and backrest are made of injected polyurethane (non-deformable over time).

Standard features include a multi-lock mechanism with 2 levers, elegant aluminum armrests and base, nylon casters (dia. 65 mm).

Versions: Carlo executive chair with high backrest, Carlo executive chair with medium backrest.



FR

Le confort de la chaise de direction Carlo contribuera à créer une ambiance intérieure raffinée et un haut niveau de prestige dans n'importe quel bureau. Carlo est équipé d'un mécanisme multi-bloc à quatre positions de verrouillage. Le siège et le dossier sont en polyuréthane injecté (non déformable avec le temps).

Les caractéristiques standard incluent un mécanisme multi-bloc avec 2 leviers, des accoudoirs et une base en aluminium élégants, des roulettes en nylon (dia. 65 mm).

Versions : Chaise de direction Carlo avec dossier haut, Chaise de direction Carlo avec dossier moyen.

DE

Der Komfort des Carlo Chefstuhls trägt dazu bei, ein raffiniertes Raumambiente und ein hohes Maß an Prestige in jedem Büro zu schaffen. Carlo ist mit einem Multiblock-Mechanismus mit vier Verriegelungspositionen ausgestattet. Der Sitz und die Rückenlehne bestehen aus spritzgegossenem Polyurethan (zeitlich nicht verformbar).

Zu den Standardfunktionen gehören ein Multiblock-Mechanismus mit 2 Hebeln, elegante Aluminium-Armlehnen und -Basis, Nylonrollen (Durchmesser 65 mm).

Versionen: Carlo Chefstuhl mit hoher Rückenlehne, Carlo Chefstuhl mit mittelhoher Rückenlehne.

RO

Confortul scaunului directorial Carlo va contribui la crearea unei ambiante interioare rafinate și la un nivel înalt de prestigiu în orice birou. Carlo este echipat cu un mecanism multi-blocare cu patru poziții de blocare. Scaunul și spătarul sunt fabricate din poliuretan injectat (nedeformabil în timp).

Caracteristicile standard includ un mecanism de blocare multiplă cu 2 manete, brațe și bază elegantă din aluminiu, role din nylon (diametru 65 mm).

Variante: Scaun directorial Carlo cu spătar înalt, Scaun directorial Carlo cu spătar mediu.

CARLO

office chairs



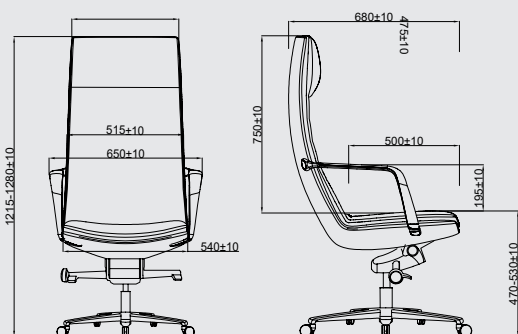
Carlo Executive Black

Carlo Conference Black

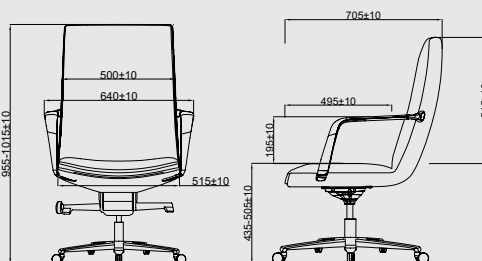
Carlo Executive Brown

Carlo Conference Brown

CARLO EXECUTIVE dim.



CARLO CONFERENCE dim.



SPECS & FINISHING

MONO SHELL:
Injected foam

ARMS:
Aluminium Upholstered arms

Mechanism:
Carlo Executive: Multiblock 4 locking positions
Carlo Conference: Butterfly with 1 position

Upholstery:
Eco Leather (Black or Brown)
Eco Leather (other colours at order)
Leather (at order)

Base:
Five arm Alu base

CARLO



CARLO
Photos
Technical File



CARLO
HD Pictures for Online Sale
or open [here](#)



CARLO
Technical File
or open [here](#)

